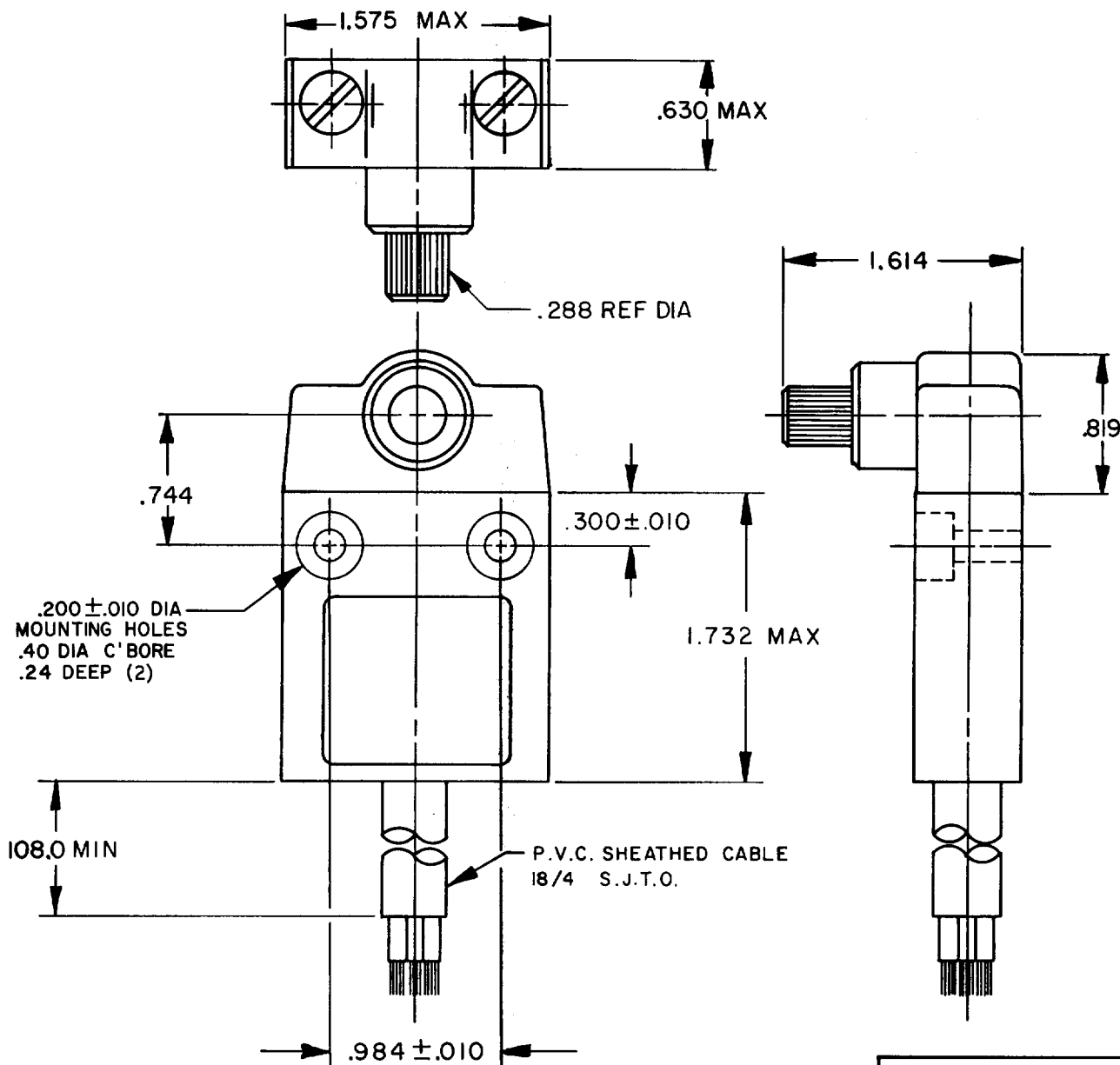
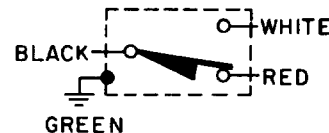


914CE16-9  
 M  
 DRAWING NUMBER  
 X  
 ISSUE  
 3  
 REVISIONS  
 A CO 51267 TSK 6 APR 82  
 A CO 51367 TSK 6 APR 82  
 B C059783 CJH 3 JUL 86  
 CHECK CEB 9 SEPT 78  
 CHECK 78  
 AUG 78  
 DRAWN  
 FO-52848-A



**NOTE -**

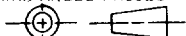
- 1 - ZINC HOUSING FINISHED WITH GRAY PAINT
- 2 - SWITCH WILL ACTUATE IN BOTH DIRECTIONS



**CIRCUIT DIAGRAM**

THIS DRAWING COVERS A PROPRIETARY ITEM AND IS THE PROPERTY OF MICRO SWITCH, A DIVISION OF HONEYWELL. THIS DRAWING IS NOT TO BE COPIED OR USED WITHOUT THE APPROVAL OF MICRO SWITCH.

THIRD ANGLE PROJECTION



**CHARACTERISTICS**

OPERATING FORCE --- 3 IN. LB MAX  
 RELEASE FORCE --- 10 IN. OZ MAX  
 PRETRAVEL --- 30° MAX  
 DIFFERENTIAL TRAVEL --- 3° MAX  
 OVERTRAVEL --- 40° MAX

**ELECTRICAL DATA**

CONTACT ARRANGEMENT  
 S P D T

UL LISTED - HONEYWELL LTD  
 FILE E41859  
 5A - 250 VAC  
 1/10 HP - 125 OR 250 VAC  
 LR-15775

SCALE FULL

DO NOT SCALE PRINT

TOLERANCES  
 APPLY TO DESIGN UNITS. CONVERSIONS ARE ONLY FOR REFERENCE. UNLESS NOTED, TOLERANCES ARE ±

DIM.	TOL.	DIM.	TOL.
mm	mm/in	in	mm/in
NO PLACES	X	1/04	
ONE PLACE	X, X	0.4/016	X X 0.8/03
TWO PLACES	X, X, X	0.15/006	X X X 0.38/015
THREE PLACES	X, X, X, X	0.15/006	X X X X 0.13/005
ANGLES			

DESIGN UNITS  SI METRIC  US CUSTOMARY

WEIGHT